



FAX

6219 DeSoto Ave., Woodland Hills, CA 91367
Telephone # (818) 316-1000
R&D & Optics Depts. Fax # (818) 316-1101

Page: 1 of 4

To: THOMAS HAVERSLEV

Company: _____

Fax #: 011 45 3810 3032

Date: 1-30-04

From: TAK MIYAGISHIMA

Re: _____

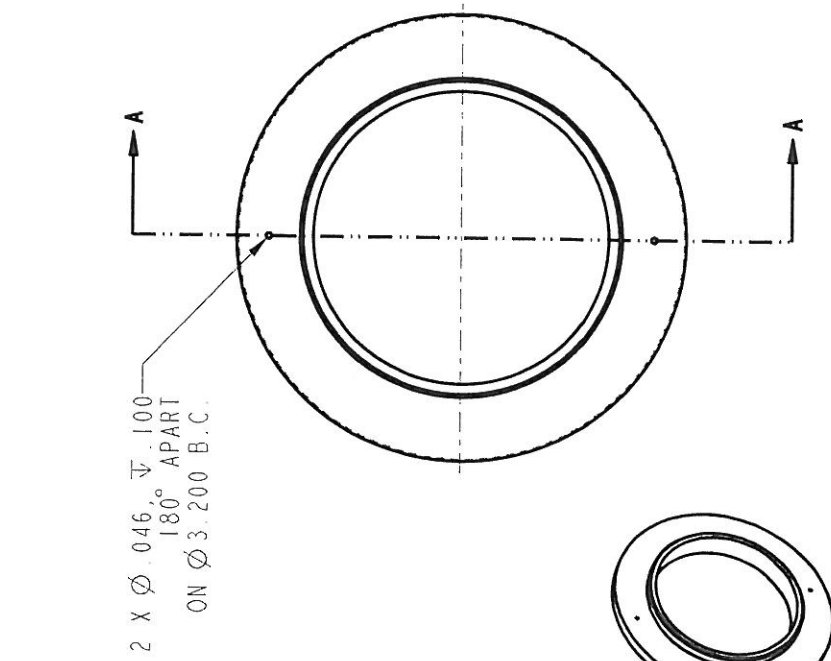
MESSAGE: GOOD LUCK - IF I CAN
BE OF ANY ASSISTANCE YOU
KNOW HOW TO GET IN TOUCH,

Take care

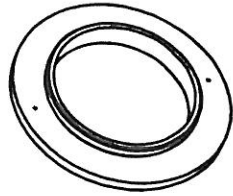
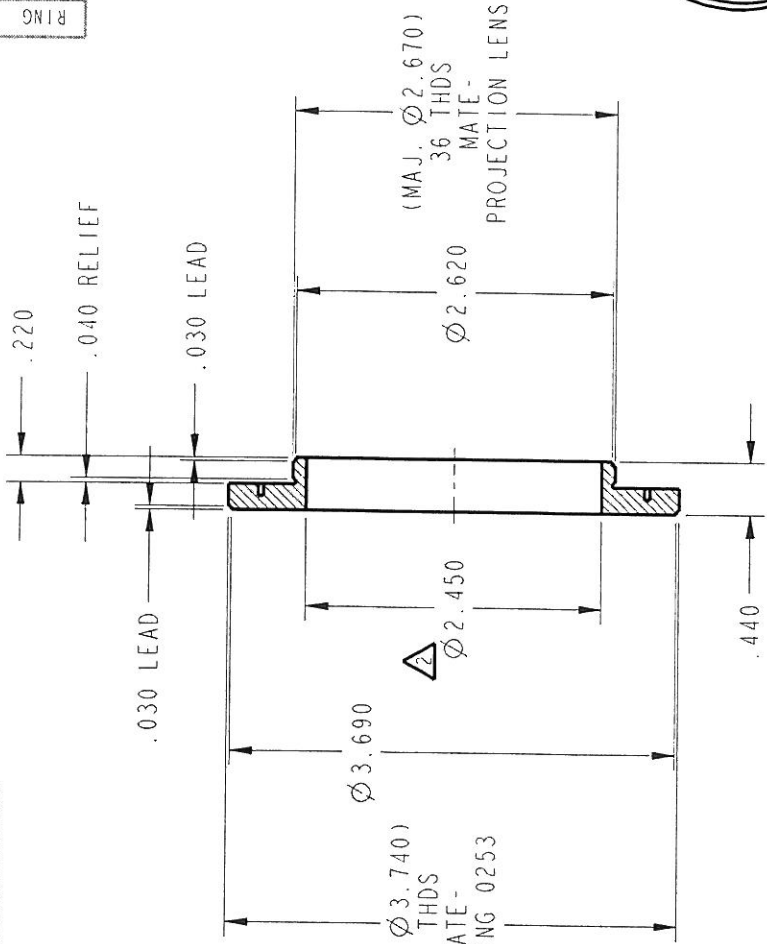
Tak

CONFIDENTIAL
 DO NOT DUPLICATE
 WITHOUT AUTHORIZATION
 UNDER THE PENALTY OF LAW

REVISIONS			
REV	DESCRIPTION	ECO #	DATE



2 X \varnothing .046, ∇ .100
 180° APART
 ON \varnothing 3.200 B.C.



SCALE 0.500

SECTION A-A

- ∇ RILL
- 1. BREAK ALL SHARP EDGES .005 MAX
- NOTE: UNLESS OTHERWISE SPECIFIED

DO NOT REMOVE FROM ENGINEERING
 OR ORIGINAL PARTS IN BOX

TOL. UNLESS SPEC. XX .01 XXX .005 XXXX .0005 QTY ANGLES 0.5			PANAVISION 6715 BASSIE AVE. WOODBRIDGE HILLS, CALIF. 91766		
TITLE			DR. BY: Koz F		
NEXT ASSY			CHK. BY: []		
MATERIAL			DATE: 1/29/04		
FINISH			SHEET 1 of 1		
BLK. ANODIZE TYPE 1			DRAWING NO RING		
7075-T6 ALUM.			APPD. BY: []		
TBD			REV		
1bd			SCALE: 1.000		

REV	REVISION	DATE
1	REVISED DIMS	11/15/53
2	REVISED DIMS	11/15/53
3	REVISED DIMS	11/15/53
4	REVISED DIMS	11/15/53
5	REVISED DIMS	11/15/53
6	REVISED DIMS	11/15/53

TAN 9-90 TAKE
SPLICES

CHAMFER
.050 x 45°
2 PLACES

MINOR DIA.
3.713
3.710

MINOR DIA.
3.740
3.740
FIT GAUGE

MINOR DIA.
3.713
3.710
FIT GAUGE

MINOR DIA.
3.740
3.740
FIT GAUGE

MINOR DIA.
3.713
3.710
FIT GAUGE

MINOR DIA.
3.740
3.740
FIT GAUGE

MINOR DIA.
3.713
3.710
FIT GAUGE

MINOR DIA.
3.740
3.740
FIT GAUGE

MINOR DIA.
3.713
3.710
FIT GAUGE

MINOR DIA.
3.740
3.740
FIT GAUGE

MINOR DIA.
3.713
3.710
FIT GAUGE

MINOR DIA.
3.740
3.740
FIT GAUGE

MINOR DIA.
3.713
3.710
FIT GAUGE

MINOR DIA.
3.740
3.740
FIT GAUGE

MINOR DIA.
3.713
3.710
FIT GAUGE

MINOR DIA.
3.740
3.740
FIT GAUGE

MINOR DIA.
3.713
3.710
FIT GAUGE

0253

36 THREADS
PER INCH
BOTH ENDS

.080 WIRE
THRU RELIEF

CHAMFER
.050 x 45°
2 PLACES

MINOR DIA.
3.713
3.710
FIT GAUGE

MINOR DIA.
3.740
3.740
FIT GAUGE

MINOR DIA.
3.713
3.710
FIT GAUGE

MINOR DIA.
3.740
3.740
FIT GAUGE

MINOR DIA.
3.713
3.710
FIT GAUGE

MINOR DIA.
3.740
3.740
FIT GAUGE

MINOR DIA.
3.713
3.710
FIT GAUGE

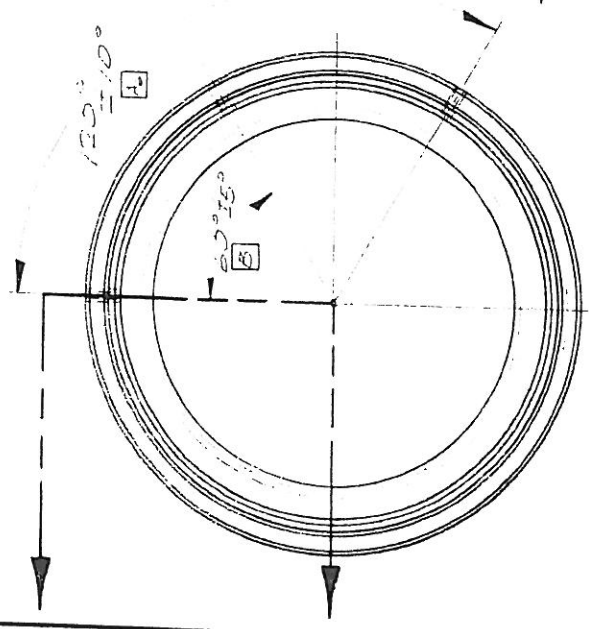
MINOR DIA.
3.740
3.740
FIT GAUGE

MINOR DIA.
3.713
3.710
FIT GAUGE

MINOR DIA.
3.740
3.740
FIT GAUGE

MINOR DIA.
3.713
3.710
FIT GAUGE

MINOR DIA.
3.740
3.740
FIT GAUGE



1. FINISH: BLACK ANODIZE.
2. OLD OF PART TO BE FREE OF ANY TOOL MARKS TO HAVE HIGH POLISH
3. LATERAL RUNOUT OF SURFACES (X), (Y), (Z) NOT TO EXCEED .005 T.I.R.
4. DIAMETERS (A), (B), (C) TO BE CONCENTRIC TO AXIS WITHIN .003 T.I.R.
5. BORES ALL DIMS SURFACES.

THE LINED SURFACES WISE SPECIFIED .XX X .015 CONCENTRIC TO AXIS WITHIN .008 T.I.R. .008 T.I.R.

CONTRACT NO.

SCALE	APPROVED BY:	DRAWN BY: JTV
DATE: 3-22-59		REVISED: 3-22-59
AMANDA RENNER BROWN		REVISED: 3-22-59
1.5X PROVISION		
PAVAVISION, INC.		DRAWING NUMBER: 0253

SET SCREW FRONT ELEMENT HOUSING AFTER POSITIVEMENT TO LOCK IN POSITION

EXISTING REAR ELEMENT LOCK RING

NEW PART WHICH ACCEPTS PROJ. LEASES

THREAD FOR 1/500 OR SCREWDRIVER

REAR ELEMENT

ADJUST FRONT ELEMENT → TO ACHIEVE REED THROW

MACHINE DEEPER TO ALLOW FOR POSITIVEMENT

LEAVE .039/100 STANOVER

HOUSING 02V3

1.2VX DRAW.

A.77 ATTACHMENT ASSY

1-29-07

